



Industrie Service

EU TYPE-EXAMINATION CERTIFICATE

According to Annex IV, Part A of 2014/33/EU Directive

Certificate No.:	EU-SG 458
Certification Body of the Notified Body:	TÜV SÜD Industrie Service GmbH Westendstr. 199 80686 Munich – Germany Identification No. 0036
Certificate Holder:	Cobianchi Lifteile AG Weststrasse 16 3672 Oberdiessbach – Switzerland
Manufacturer of the Test Sample: <small>(Manufacturer of Serial Production – see Enclosure)</small>	Cobianchi Lifteile AG Weststrasse 16 3672 Oberdiessbach – Switzerland
Product:	Progressive safety
Type:	PC 2020
Directive:	2014/33/EU
Reference Standards:	EN 81-20:2014 EN 81-50:2014 EN 81-1:1998+A3:2009 EN 81-2:1998+A3:2009
Test Report:	EU-SG 458 of 2016-01-27
Outcome:	The safety component conforms to the essential health and safety requirements of the mentioned Directive as long as the requirements of the annex of this certificate are kept.
Date of Issue:	2016-01-27
Date of Validity:	from 2016-04-20

Werner Rau

Werner Rau
Certification Body "lifts and cranes"



**Annex to the EC Type-Examination Certificate
No. EU-SG 458 of 2016-01-27**



Industrie Service

1 Scope of application

1.1 Guide rails to be used

Minimum running surface width 32 mm

Blade width 9 – 16 mm

Note:

* Mineral oils without additives (e.g. lubrication oils C according DIN 51517, part 1)

1.2 Permissible total mass of car and rated load in using one pair of safety gear depending on manufacture and condition of guide rail running surface

Manufacturing of running surface	Condition guide rail	Total mass [kg] min. – max.
drawn	dry	1036 – 6083
	oiled*	944 – 5836
machined	dry	1107 – 6453
	oiled*	879 – 5814

1.3 Maximum tripping speed of overspeed governor and maximum rated speed

Maximum tripping speed 3.23 m/s

Range of maximum rated speed 2.58 – 2.81 m/s

2 Terms and Conditions

2.1 The identification drawing No. 2020-BZ01-1 including stamp dated 2016-01-27 shall be included to the EU type-examination for the identification and information of the general construction and operation and distinctness of the approved type.

2.2 The EU type-examination certificate may only be used in combination with the corresponding annex and enclosure (List of authorized manufacturer of the serial production). The enclosure will be updated immediately after any change by the certification holder.

3 Remarks

3.1 Pursuant to the comment standard EN 81-50, the total mass determined for adjustment purposes may be 7.5 % higher or lower.

3.2 The progressive safety gear can also be used to a counterweight in compliance with the permissible total mass according point 1.2 of this certificate till permissible tripping speed.

3.3 This EU type-examination certificate was issued according to the following standards:

- EN 81-1:1998 + A3:2009 (D), Annex F.3
- EN 81-2:1998 + A3:2009 (D), Annex F.3
- EN 81-20:2014 (D), part 5.6.2.1.1.2
- EN 81-50:2014 (D), part 5.3

A revision of this EU type-examination certificate is inevitable in case of changes or additions of the above mentioned standards or of changes of state of the art.

**Enclosure to the EU Type-Examination Certificate
No. EU-SG 458 of 2016-01-27**



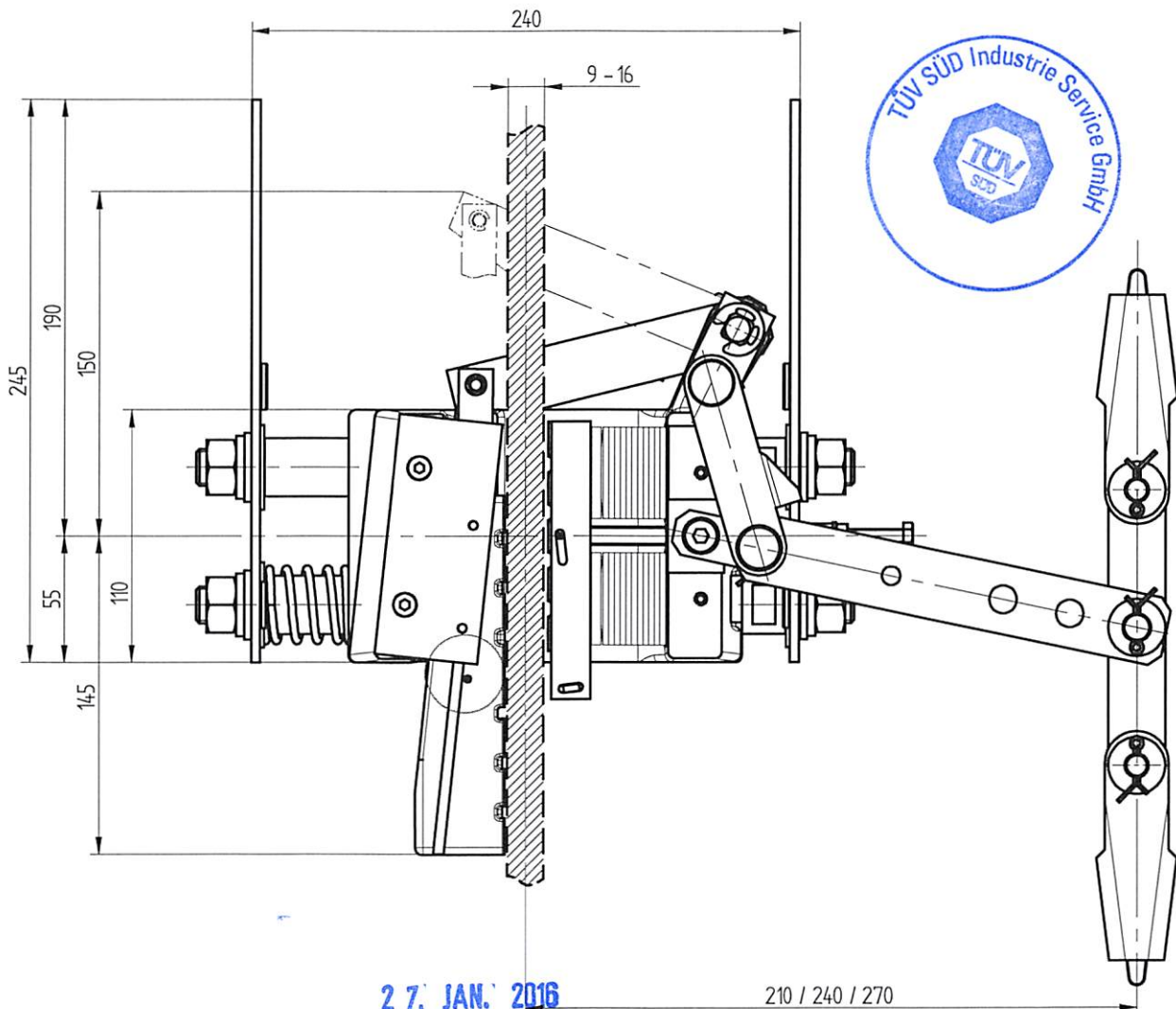
Industrie Service

Authorised Manufacturer of Serial Production – Production Sites (valid from: 2016-01-27):

Company Cobianchi Lifteile AG
Address Weststrasse 16
3672 Oberdiessbach – Switzerland

- END OF DOCUMENT -

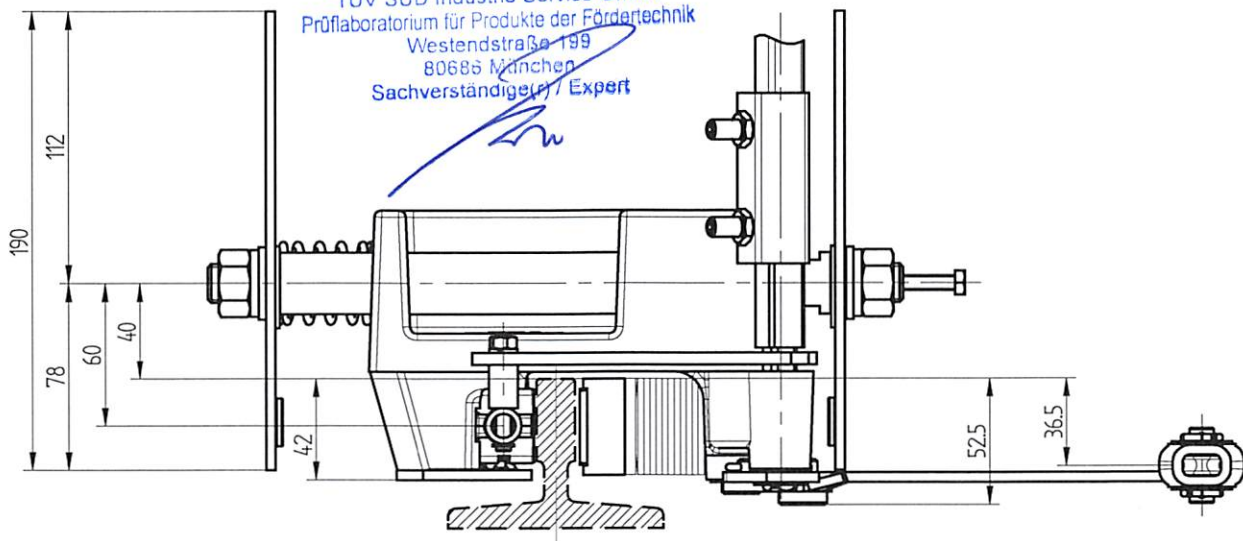
Bremsfangvorrichtung Typ - PC2020



27. JAN. 2016

210 / 240 / 270

GEPRÜFT / APPROVED
 TÜV SÜD Industrie Service GmbH
 Prüflaboratorium für Produkte der Fördertechnik
 Westendstraße 199
 80686 München
 Sachverständige(r) / Expert



Das Urheberrecht an dieser Zeichnung und allen
 Bezügen die dem Empfänger persönlich anver-
 traut sind, verbleibt jederzeit unserer Firma. Ohne
 unsere schriftliche Genehmigung darf diese nicht
 kopiert oder Dritten zugänglich gemacht werden.

Ausgabe:
 20.01.16 / H. Gehrig

lobianchi
 Lobianchi Liffteile AG

Weststrasse 16, CH-3672 Oberdiessbach
 Tel. ++41 - (0)31/720'50'50
 Fax ++41 - (0)31/720'50'51
 info@cobianchi.ch - www.cobianchi.ch

Zeichnungsnummer
 2020-BZ01-1