



EU TYPE-EXAMINATION CERTIFICATE

According to Annex IV, Part A of 2014/33/EU Directive

| | |
|---|---|
| Certificate No.: | EU-SG 456 |
| Certification Body of the Notified Body: | TÜV SÜD Industrie Service GmbH Westendstr. 199 80686 Munich – Germany Identification No. 0036 |
| Certificate Holder: | Cobianchi Lifteile AG Weststrasse 16 3672 Oberdiessbach – Switzerland |
| Manufacturer of the Test Sample: <small>(Manufacturer of Serial Production – see Enclosure)</small> | Cobianchi Lifteile AG Weststrasse 16 3672 Oberdiessbach – Switzerland |
| Product: | Progressive safety |
| Type: | PC 1620 |
| Directive: | 2014/33/EU |
| Reference Standards: | EN 81-20:2014 EN 81-50:2014 EN 81-1:1998+A3:2009 EN 81-2:1998+A3:2009 |
| Test Report: | EU-SG 456 of 2016-01-27 |
| Outcome: | The safety component conforms to the essential health and safety requirements of the mentioned Directive as long as the requirements of the annex of this certificate are kept. |
| Date of Issue: | 2016-01-27 |
| Date of Validity: | from 2016-04-20 |

Werner Rau

 Werner Rau
 Certification Body "lifts and cranes"

**Annex to the EC Type-Examination Certificate
No. EU-SG 456 of 2016-01-27**



Industrie Service

1 Scope of application

1.1 Guide rails to be used

| | |
|---|-------------------|
| Manufacture of the guide rail running surface | machined or drawn |
| Condition of guide rail running surface | dry or oiled* |
| Blade width | 7 – 16 mm |

Note:

* Mineral oils without additives (e.g. lubrication oils C according DIN 51517, part 1)

1.2 Permissible total mass of car and rated load in using one pair of safety gear depending on the minimum running surface of guide rails

| | |
|-------------------------------------|---------------|
| Minimum running surface width 32 mm | 790 – 3210 kg |
| Minimum running surface width 20 mm | 225 – 2038 kg |

1.3 Maximum tripping speed of overspeed governor and maximum rated speed

| | |
|------------------------------|-----------------|
| Maximum tripping speed | 2.50 m/s |
| Range of maximum rated speed | 2.00 – 2.17 m/s |

2 Terms and Conditions

2.1 The identification drawing No. 1620-BZ01-1 including stamp dated 2016-01-27 shall be included to the EU type-examination for the identification and information of the general construction and operation and distinctness of the approved type.

2.2 The EU type-examination certificate may only be used in combination with the corresponding annex and enclosure (List of authorized manufacturer of the serial production). The enclosure will be updated immediately after any change by the certification holder.

3 Remarks

3.1 Pursuant to the comment standard EN 81-50, the total mass determined for adjustment purposes may be 7.5 % higher or lower.

3.2 The progressive safety gear can also be used to a counterweight in compliance with the permissible total mass according point 1.2 of this certificate till permissible tripping speed.

3.3 This EU type-examination certificate was issued according to the following standards:

- EN 81-1:1998 + A3:2009 (D), Annex F.3
- EN 81-2:1998 + A3:2009 (D), Annex F.3
- EN 81-20:2014 (D), part 5.6.2.1.1.2
- EN 81-50:2014 (D), part 5.3

A revision of this EU type-examination certificate is inevitable in case of changes or additions of the above mentioned standards or of changes of state of the art.

**Enclosure to the EU Type-Examination Certificate
No. EU-SG 456 of 2016-01-27**



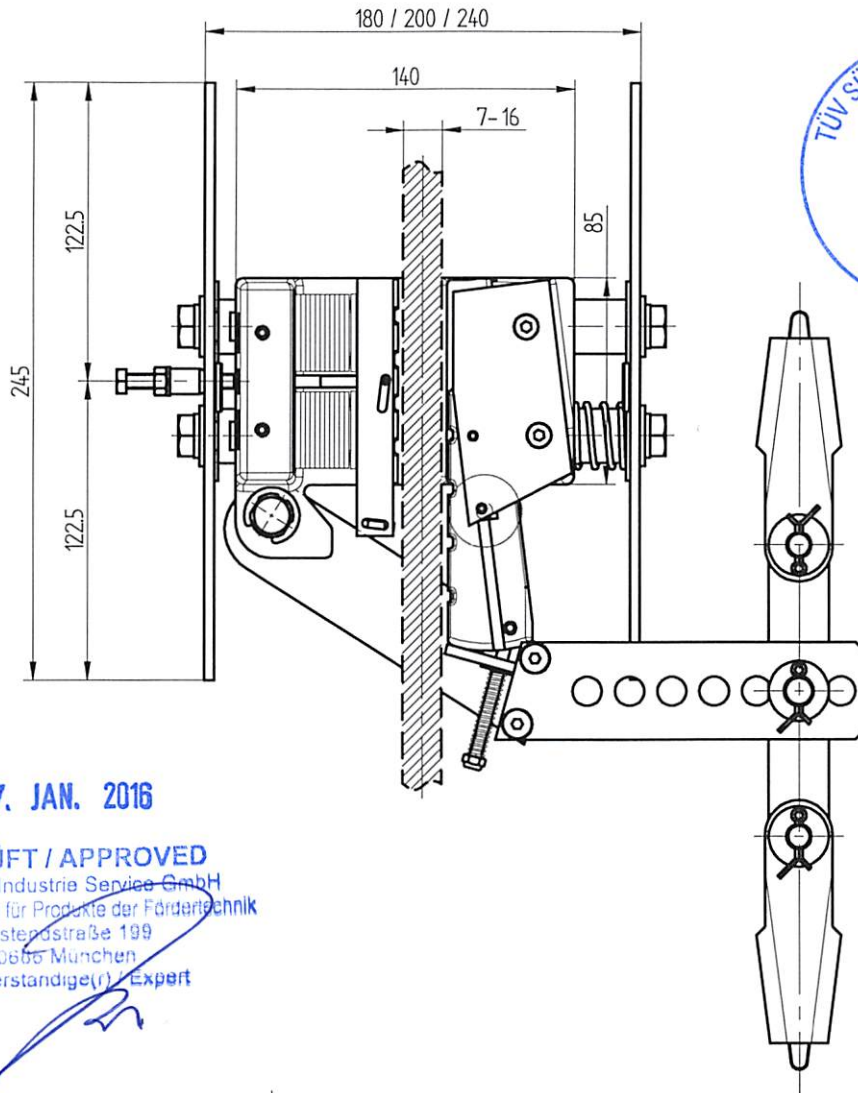
Industrie Service

Authorised Manufacturer of Serial Production – Production Sites (valid from: 2016-01-27):

| | |
|----------------|--|
| Company | Cobianchi Lifteile AG |
| Address | Weststrasse 16 3672 Oberdiessbach – Switzerland |

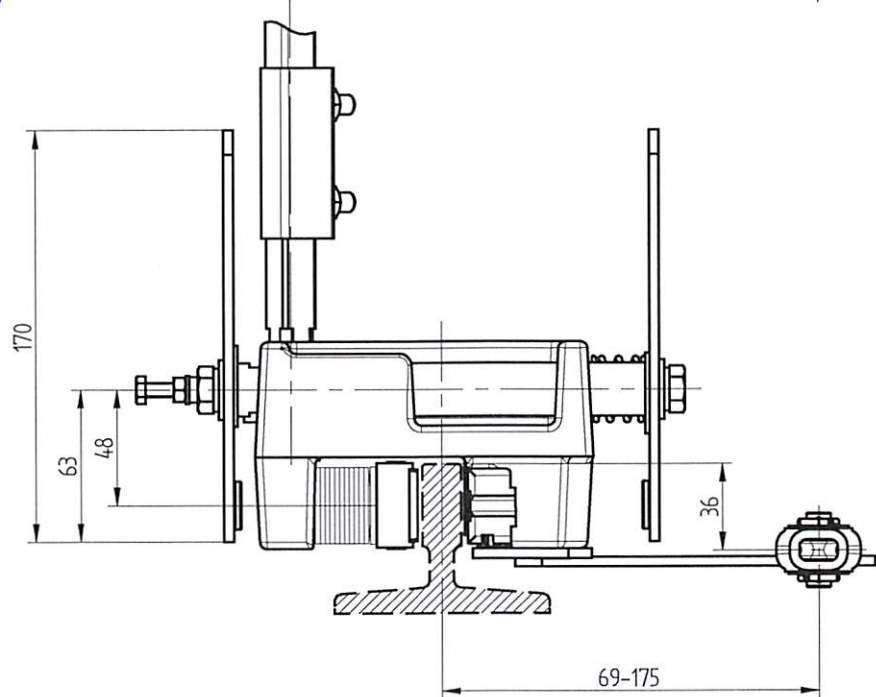
- END OF DOCUMENT -

Bremsfangvorrichtung Typ - PC1620



27. JAN. 2016

GEPRÜFT / APPROVED
 TÜV SÜD Industrie Service GmbH
 Prüflaboratorium für Produkte der Fördertechnik
 Westendstraße 199
 80666 München
 Sachverständige(r) / Expert



Das Urheberrecht an dieser Zeichnung und allen Beilagen, die dem Empfänger persönlich anvertraut sind, verbleibt jederzeit unserer Firma. Ohne unsere schriftliche Genehmigung darf diese nicht kopiert oder Dritten zugänglich gemacht werden.

Ausgabe:
 20.01.16 / H. Gehrig

cobianchi
 Cobiانchi Lifferteile AG

Weststrasse 16, CH-3672 Oberdiessbach
 Tel. ++41 - (0)31/720'50'50
 Fax ++41 - (0)31/720'50'51
 info@cobianchi.ch - www.cobianchi.ch

Zeichnungsnummer
 1620-BZ01-1